



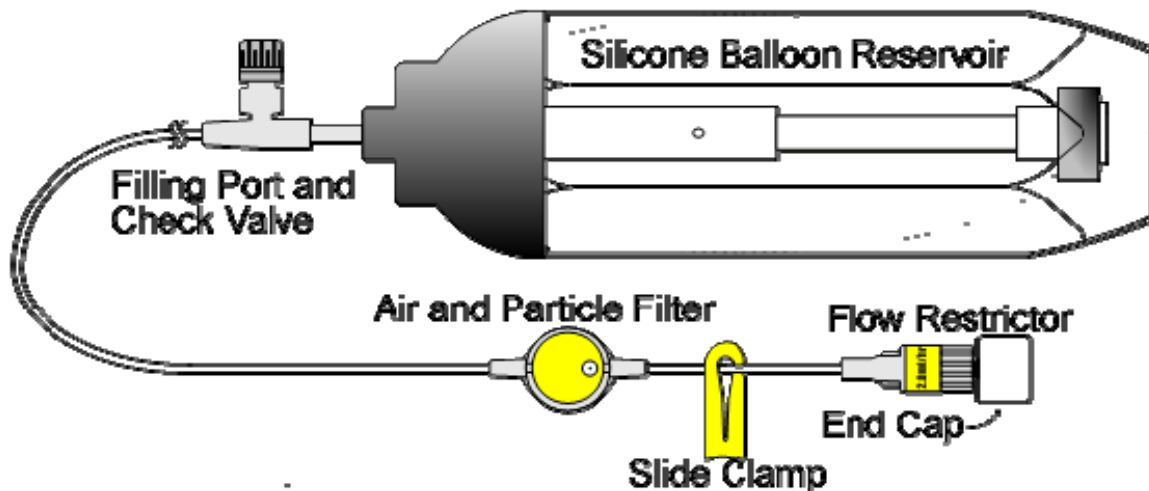
First Medical Source

Reducing Cost of Healthcare Worldwide
www.firstmedicalsourc.com

October 25, 2010

Planned Performance Improvement Changes to FMS Pumps!

Starting early 2011, the following performance improvement changes will be made to FMS Pumps:



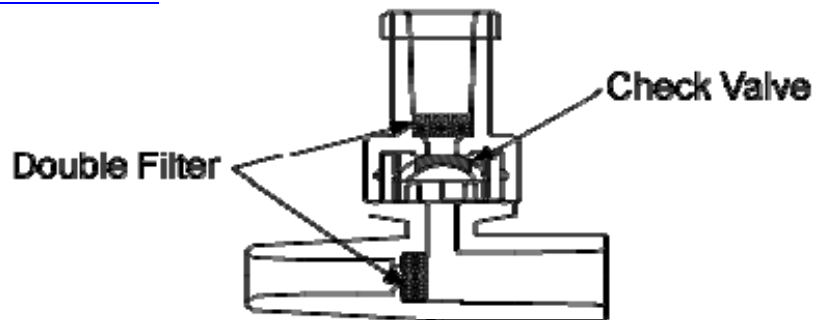
1. The particle and air filter in the infusion line will be replaced by a double filter placed at the filling port. This will avoid particles from entering the pump in the first place, and eliminates any incident of leak caused by defects in the filter soldering.



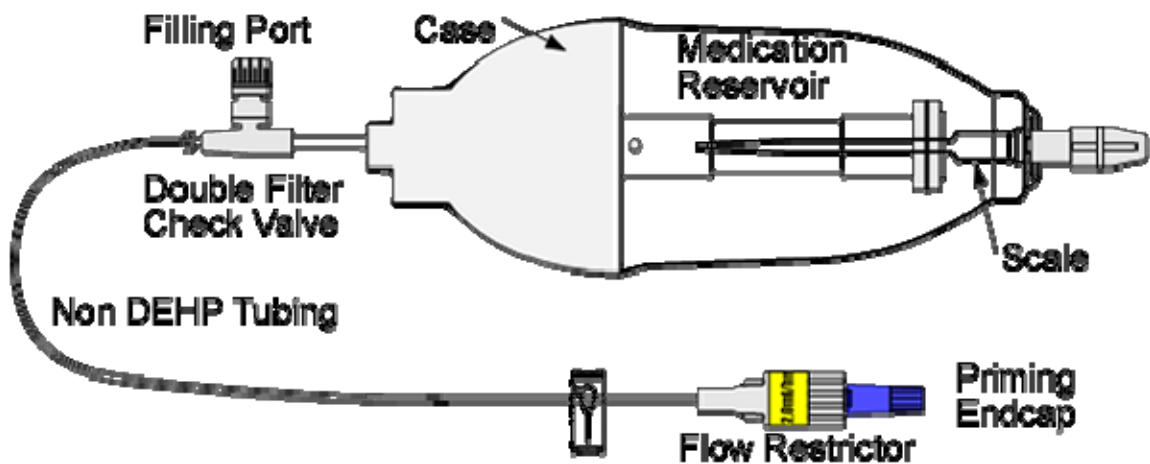
First Medical Source

Reducing Cost of Healthcare Worldwide

www.firstmedicalsourc.com



2. The central post will have a reference volume scale. This will make it much easier for the user to evaluate the approximate volume contained in the pump.
- 3.



4. The 275 ml reservoir is will be replaced by a 300 ml reservoir.
5. A 600 ml reservoir will be available.
6. Improvements made in the bolus will avoid partial bolus deliveries and make priming easier.

For any additional information, please feel free to email me your inquires to support@firstmedicalsourc.com